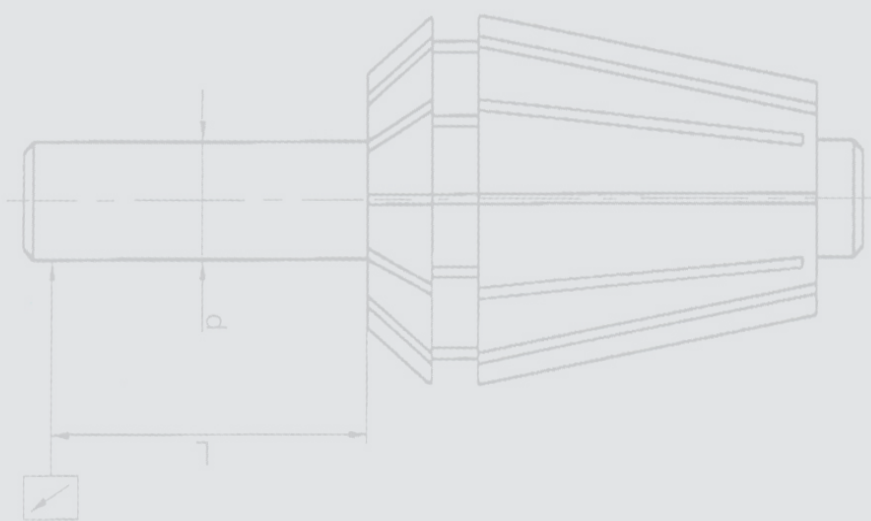


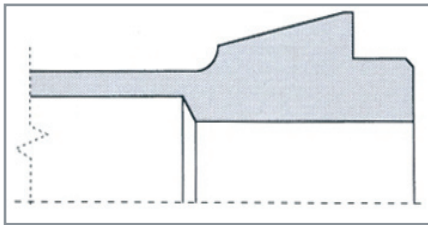
CATALOGO GENERALE
FANTINA MOBILE

GENERAL CATALOGUE
SLIDE HEAD SWISS TYPE



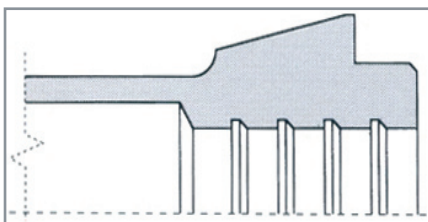
DOCKING[®]
SWISS MADE
COLLETS

FORMA DELL'ALESAGGIO CLAMPING FORM



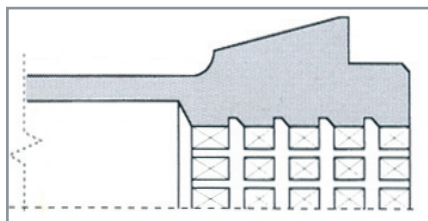
Foro liscio. Forma abituale per fori da \varnothing 1-8 mm

Plain bore. Normally used for bores from 1-8 mm



Foro rigato, con canalini circolari
 $\varnothing > 8$

Lined bore, with circular relief
 $\varnothing > 8$

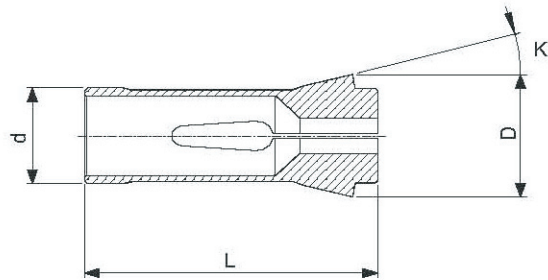
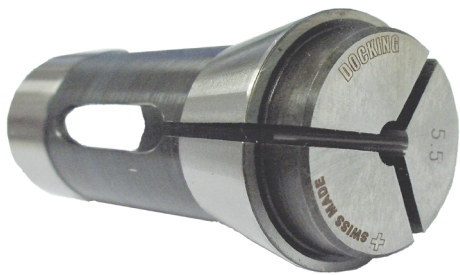


Foro zigrinato, con canalini circolari e verticali (a richiesta)

Shagreened bore, with circular and vertical relief (on request)

FF SERIES

Pinze Mandrino / F Type collets

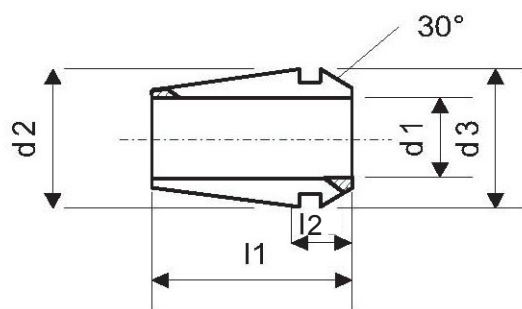
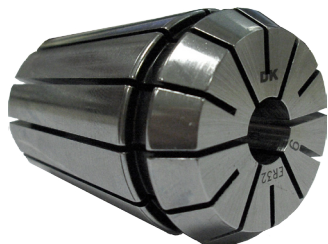


| ART | ISO | ALTRI RIFERIMENTI OTHER REFERENCE | d | D | L | K | MISRE SIZE | | PASSO STEP |
|-----------|-----------|--------------------------------------|-------|------|-------|----|---------------|---------|---------------|
| | | | | | | | DA FROM | A TO | |
| DKFF0100E | 100 E | F6/599 | 6,00 | 10,0 | 30,0 | 15 | 0,5 | 4,5 | 0,1 |
| DKFF0101E | 101 E | F8/577 | 8,00 | 12,0 | 42,0 | 16 | 0,5 | 6,0 | 0,1 |
| DKFF0109E | 109 E | F10/86 | 10,00 | 15,5 | 47,5 | 20 | 0,5 | 7,0 | 0,1 |
| DKFF0110E | 110 E | F10/720 | 10,00 | 16,0 | 43,0 | 15 | 0,5 | 7,0 | 0,1 |
| DKFF0116E | 116 E | F13/357 | 13,00 | 19,0 | 64,0 | 16 | 1,0 | 10,0 | 0,5 |
| DKFF0117E | 117 E | F14/98 | 14,00 | 18,0 | 46,0 | 13 | 1,0 | 10,0 | 0,5 |
| DKFF0120E | 120 E | F15/580 | 15,00 | 21,0 | 64,0 | 16 | 1,0 | 13,0 | 0,5 |
| DKFF0136E | 136 E | F20/201 | 20,00 | 26,0 | 54,0 | 15 | 1,0 | 16,0 | 0,5 |
| DKFF0138E | 138 E | F20/87 | 20,00 | 28,0 | 67,0 | 16 | 1,0 | 16,0 | 0,5 |
| DKFF0140E | 140 E | F22/71 | 22,00 | 30,0 | 55,0 | 15 | 1,0 | 16,0 | 0,5 |
| DKFF0140R | 140 E Ris | F22/88 | 22,00 | 28,0 | 67,0 | 13 | 1,0 | 16,0 | 0,5 |
| DKFF0144E | 144 E | F25/91 | 25,00 | 34,0 | 65,0 | 15 | 1,0 | 20,0 | 0,5 |
| DKFF0145E | 145 E | F25/64 | 25,00 | 35,0 | 77,0 | 16 | 1,0 | 20,0 | 0,5 |
| DKFF0147E | 147 E | F27/22 | 27,00 | 38,0 | 72,7 | 15 | 1,0 | 20,0 | 0,5 |
| DKFF0148E | 148 E | F28/93 | 28,00 | 38,0 | 70,0 | 15 | 1,0 | 24,0 | 0,5 |
| DKFF0157E | 157 E | F30/63 | 30,00 | 42,0 | 80,0 | 16 | 3,0 | 24,0 | 0,5 |
| DKFF0161E | 161 E | F32/221 | 32,00 | 45,0 | 75,0 | 15 | 2,0 | 26,0 | 0,5 |
| DKFF0162E | 162 E | F35/67 | 35,00 | 43,0 | 70,0 | 15 | 3,0 | 25,0 | 0,5 |
| DKFF0163E | 163 E | F35/94 | 35,00 | 48,0 | 80,0 | 15 | 2,0 | 32,0 | 0,5 |
| DKFF0164E | 164 E | F38/72 | 38,08 | 49,0 | 107,5 | 15 | 3,0 | 32,0 | 0,5 |
| DKFF0171E | 171 E | F42/99 | 42,00 | 55,0 | 94,0 | 15 | 3,0 | 37,0 | 0,5 |
| DKFF0173E | 173 E | F48/81 | 48,00 | 60,0 | 94,0 | 15 | 3,0 | 42,0 | 0,5 |
| DKFF0185E | 185 E | F66/359 | 66,00 | 84,0 | 110,0 | 15 | 3,0 | 60,0 | 1,0 |
| DKFF1155E | 1155 E | F12/78 | 12,00 | 18,1 | 44,5 | 15 | 1,0 | 10,0 | 0,1 |
| DKFF1158E | 1158 E | F12/578 | 12,00 | 18,0 | 64,0 | 16 | 1,0 | 10,0 | 0,1 |
| DKFF1212E | 1212 E | F16/1076 | 16,00 | 21,0 | 64,0 | 16 | 1,0 | 13,0 | 0,5 |
| DKFF1446E | 1446 E | F30/101 | 30,00 | 38,0 | 65,0 | 15 | 3,0 | 26,0 | 0,5 |
| DKFF1497E | 1497 E | F34/1077 | 34,00 | 44,0 | 80,0 | 16 | 3,0 | 28,0 | 0,5 |
| DKFF1536E | 1536 E | F37/740 | 37,00 | 47,0 | 92,0 | 16 | 3,0 | 32,0 | 1,0 |
| DKFF1653 | | P1653C | 20,00 | 26,0 | 68,0 | 13 | 2,0 | 15,0 | 0,5 |
| DKFF0020 | | NN20KFC | 26,00 | 36,0 | 72,0 | 15 | 2,0 | 20,0 | 0,5 |
| DKFF2553 | | P2553C | 32,00 | 42,0 | 85,0 | 13 | 2,0 | 26,0 | 0,5 |

su richiesta sono disponibili anche misure speciali / Inch measures are available on request

ER SERIES

Pinze ER / ER collets

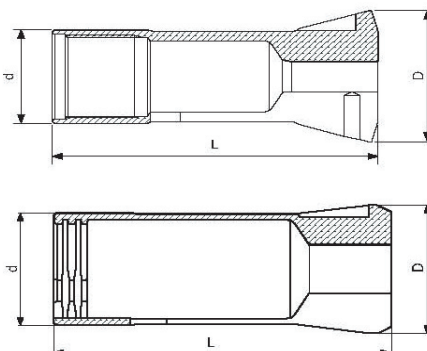
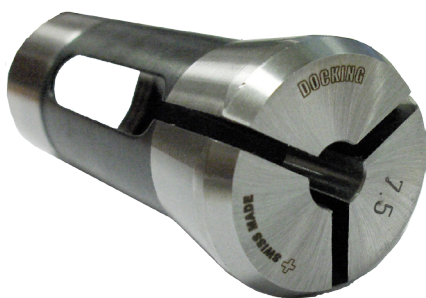


| ART | d1 mm min - max | CAPACITÀ DI SERRAGGIO GRIPPING RANGE | d2 | d3 | a | l1 | l2 max |
|--------|--------------------|---|----|------|----|------|--------|
| DKER08 | 1÷5 | 0,5 mm | 8 | 8,5 | 8° | 13,5 | 4,5 |
| DKER11 | 1÷7 | 0,5 mm | 11 | 11,5 | 8° | 18,0 | 6,6 |
| DKER16 | 1÷10 | 0,5 - 1mm | 16 | 17,0 | 8° | 27,5 | 10,5 |
| DKER20 | 1÷13 | 0,5 - 1mm | 20 | 21,0 | 8° | 31,5 | 11,5 |
| DKER25 | 1÷16 | 0,5 - 1mm | 25 | 26,0 | 8° | 34,5 | 12,0 |
| DKER32 | 2÷20 | 0,5 - 1mm | 32 | 33,0 | 8° | 40,0 | 13,0 |
| DKER40 | 3÷30 | 1mm | 40 | 41,0 | 8° | 46,0 | 15,0 |

su richiesta sono disponibili anche U.P. (Ultra Preciso) & misure speciali /
U.P. (Ultra Precised) & Inch measures are available on request

MR SERIES

Pinze per mandrino da ripresa / Pick up collets

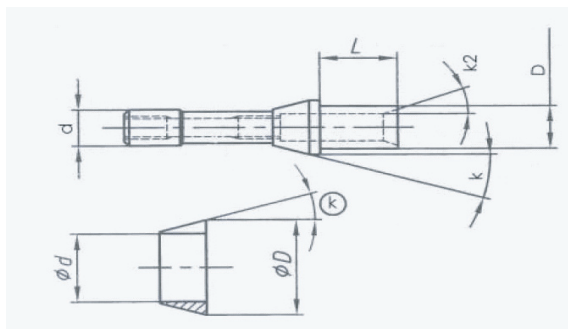
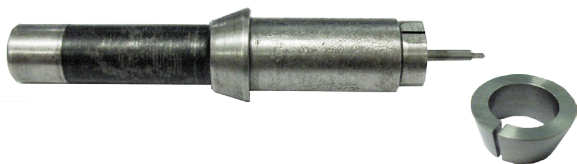


| ART | ALTRI RIFERIMENTI OTHER REFERENCE | d | D | L | MISRE SIZE | | PASSO STEP |
|----------|--------------------------------------|------|------|------|---------------|---------|---------------|
| | | | | | DA FROM | A TO | |
| DKMR0814 | STROHM M105, M125, GZS12 (F12) | 12,0 | 14,5 | 21,0 | 1 | 8,0 | 0,1 |
| DKMR1117 | STROHM M125, GZS15 (F15) | 15,0 | 17,0 | 17,0 | 1 | 11,0 | 0,1 |
| DKMR1621 | TORNOS SYF 16, AS14/SAS16 | 16,0 | 21,0 | 66,0 | 3 | 16,0 | 0,5 |
| DKMR1928 | STROHM M205, M255, GZS24 (F24) | 24,0 | 28,0 | 36,0 | 1 | 19,0 | 0,1 |
| DKMR2028 | TORNOS GL 20, 3560 E GILDEMEISTER | 28,0 | 32,0 | 73,0 | 2 | 24,5 | 0,5 |
| DKMR2035 | GILDEMEISTER GLD20 | 28,5 | 32,5 | 66,8 | 3 | 23,5 | 0,5 |
| DKMR2230 | TORNOS MULTIDECO 26/6 32/6 | 35,5 | 40,0 | 80,0 | 3 | 32,0 | 0,5 |
| DKMR3040 | TRAUB GZT35 | 46,0 | 40,0 | 35,0 | 3 | 30,0 | 0,5 |
| DKMR4254 | TRAUB GZT46 | 65,0 | 54,7 | 46,0 | 3 | 42,0 | 0,5 |

su richiesta sono disponibili anche misure speciali / Inch measures are available on request

FE SERIES

Pinze speciali / Special collets

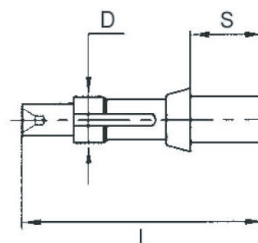


| ART | ALTRI RIFERIMENTI OTHER REFERENCE | d | D | L | k2 | K | MISRE SIZE | | PASSO STEP |
|-----------|--------------------------------------|---|-----|------|----|----|---------------|---------|---------------|
| | | | | | | | DA FROM | A TO | |
| DKFE08100 | 1000 | 8 | 9,5 | 10,0 | 16 | 20 | 0,5 | 6 | 0,1 |
| DKFE08125 | 1250 | 8 | 9,5 | 12,5 | 16 | 20 | 0,5 | 6 | 0,1 |
| DKFE08150 | 1500 | 8 | 9,5 | 15,0 | 16 | 20 | 0,5 | 6 | 0,1 |
| DKFE08175 | 1750 | 8 | 9,5 | 17,5 | 16 | 20 | 0,5 | 6 | 0,1 |
| DKFE08200 | 2000 | 8 | 9,5 | 20,0 | 16 | 20 | 0,5 | 6 | 0,1 |
| DKFE08225 | 2250 | 8 | 9,5 | 22,5 | 16 | 20 | 0,5 | 6 | 0,1 |
| DKFE08250 | 2500 | 8 | 9,5 | 25,0 | 16 | 20 | 0,5 | 6 | 0,1 |
| DKFE08275 | 2750 | 8 | 9,5 | 27,5 | 16 | 20 | 0,5 | 6 | 0,1 |
| DKFE08300 | 3000 | 8 | 9,5 | 30,0 | 16 | 20 | 0,5 | 6 | 0,1 |
| DKFE08325 | 3250 | 8 | 9,5 | 32,5 | 16 | 20 | 0,5 | 6 | 0,1 |
| DKFE08350 | 3500 | 8 | 9,5 | 35,0 | 16 | 20 | 0,5 | 6 | 0,1 |
| DKFE08400 | 4000 | 8 | 9,5 | 40,0 | 16 | 20 | 0,5 | 6 | 0,1 |
| DKFE08420 | 4200 | 8 | 9,5 | 42,0 | 16 | 20 | 0,5 | 6 | 0,1 |
| DKFEC8420 | 812 | 8 | 12 | | 16 | | 0,5 | 6 | 0,1 |

su richiesta sono disponibili anche misure speciali / Inch measures are available on request

S1 SERIES

Pinze per trasportatore / Special collets

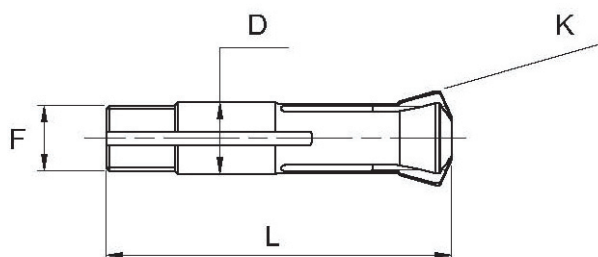


| ART | ALTRI RIFERIMENTI OTHER REFERENCE | D | L | S |
|-----------|--------------------------------------|---|----------|----------|
| DKS105260 | 2193 | 5 | 20,5- 26 | 4,5 - 10 |
| DKS108445 | 2199 | 8 | 44,5 | 13,5 |

su richiesta sono disponibili anche misure speciali / Inch measures are available on request

BB SERIES

Bussole metallo duro / Guide bushing

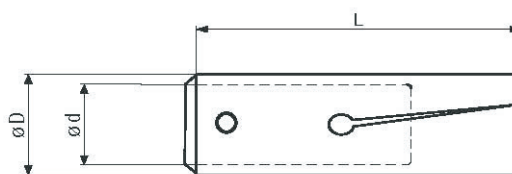


| ART | ALTRI RIFERIMENTI OTHER REFERENCE | | | D | L | K | F | MISRE SIZE | | PASSO STEP |
|-----------|--------------------------------------|---------|--------|----|------|------|-------------|---------------|---------|---------------|
| | | | | | | | | DA FROM | A TO | |
| DKBB0409 | J3 | 1.001 | 1351 | 9 | 44,0 | 16,0 | M8x0,775 | 1 | 4,5 | 0,1 |
| DKBB0410M | MAGIC 1302 | 38.001 | CMF201 | 10 | 57,0 | 36,0 | M10x1 | 1 | 4,0 | 0,1 |
| DKBB0611 | J4 | 3.001 | 1352 | 11 | 53,0 | 16,0 | M10x0,75 | 1 | 8,0 | 0,1 |
| DKBB0713M | MAGIC 1300 | 45.001 | CRD143 | 13 | 68,0 | 36,0 | M13x1 | 7 | 7,0 | 0,1 |
| DKBB1016 | J6R | 8.001 | 1353 | 16 | 59,0 | 16,0 | M14x1 | 1 | 11,0 | 0,1 |
| DKBB1318 | B212A | 166.001 | 853 | 18 | 60,0 | 30,0 | M16x1 | 1 | 13,0 | 0,1 |
| DKBB1421 | B301 | 450.001 | 221T | 21 | 57,4 | 12,5 | M18x1 | 1 | 14,0 | 0,1 |
| DKBB1622 | J7A | 13.001 | 1354 | 22 | 68,0 | 16,0 | M19x1 | 2 | 16,0 | 0,5 |
| DKBB1822 | J7AR | 39.001 | 39001T | 22 | 68,0 | 16,0 | M22x1 | 2 | 18,0 | 0,5 |
| DKBB1824 | B238 | 61.002 | 605 | 24 | 61,0 | 30,0 | M24x1 | 2 | 18,0 | 0,5 |
| DKBB2128 | B261 | 22.001 | 223T | 28 | 82,0 | 16,0 | M25x1 | 3 | 22,0 | 0,5 |
| DKBB2132 | B214 | 282.001 | 355 | 32 | 71,0 | 30,0 | M32x1 | 3 | 22,0 | 0,5 |
| DKBB2183 | B260 | 18.001 | 1357 | 28 | 81,0 | 30,0 | M25x1 | 3 | 21,0 | 0,5 |
| DKBB2634 | B227 | 451.001 | 227T | 34 | 87,5 | 10,0 | M34x1 | 3 | 26,0 | 1,0 |
| DKBB2740 | B207 | 172.001 | 854 | 40 | 72,0 | 30,0 | M36x1/M40x1 | 3 | 27,0 | 1,0 |
| DKBB3442 | J9 | 28.001 | 229T | 42 | 82,0 | 16,0 | M40x1 | 3 | 34,0 | 1,0 |
| DKBB3648 | B236 | | | 48 | 81,0 | 30,0 | M48x1,25 | 3 | 36,0 | 1,0 |
| DKBB1653 | P1653D | | | 22 | 70,0 | 15,0 | M20x1 | 2 | 15,0 | 0,5 |
| DKBB0020 | NN20KD | | | 30 | 68,0 | 15,5 | M30x1 | 2 | 20,0 | 0,5 |
| DKBB2553 | P2553D | | | 36 | 90,0 | 13,0 | M36x1 | 2 | 26,0 | 0,5 |

su richiesta sono disponibili anche misure speciali / Inch measures are available on request

CC SERIES

Pinze per caricatore / Barloader collets

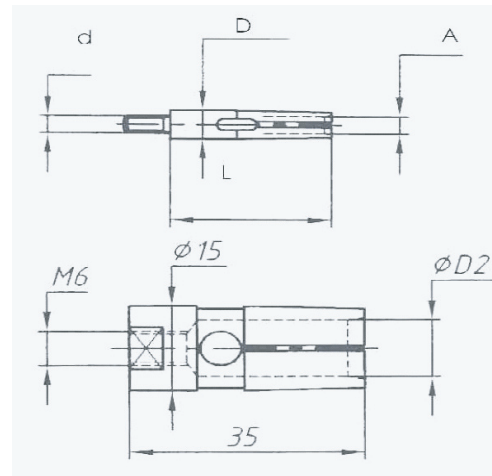


| ART | ALTRI RIFERIMENTI OTHER REFERENCE | | d | D | L | MISRE SIZE | | PASSO STEP |
|-----------|--------------------------------------|--------------|----|----|----|---------------|---------|---------------|
| | | | | | | DA FROM | A TO | |
| DKCC10026 | SPH | Becheler B10 | M5 | 10 | 26 | 2,0 | 8 | 0,5 |
| DKCC10040 | 210 E | D10/210E | 7 | 10 | 40 | 2,0 | 8 | 0,5 |
| DKCC12040 | 212 E | D12/212E | 8 | 12 | 40 | 2,0 | 10 | 0,5 |
| DKCC15040 | 203 E | D15/203E | 11 | 15 | 40 | 2,0 | 13 | 0,5 |
| DKCC18040 | D18/HAG | D18/HAG | 11 | 18 | 40 | 2,5 | 16 | 0,5 |
| DKCC20065 | 225 E | D20/225E | 14 | 20 | 65 | 2,5 | 18 | 0,5 |
| DKCC25065 | 222 E | D25/222E | 20 | 25 | 65 | 4,0 | 23 | 0,5 |
| DKCC28065 | 227 E | D28/227E | 20 | 28 | 65 | 6,0 | 26 | 0,5 |
| DKCC30065 | D30/HAG | D30/HAG | 20 | 30 | 65 | 8,0 | 28 | 0,5 |
| DKCC32065 | D32/HAG | D32/HAG | 20 | 32 | 65 | 8,0 | 30 | 0,5 |

su richiesta sono disponibili anche misure speciali / Inch measures are available on request

TT SERIES

Pinze per caricatore / Barloader collets



| ART | ALTRI RIFERIMENTI OTHER REFERENCE | d | D | L | MISURE SIZE | | PASSO STEP |
|------------|--------------------------------------|----|------|----|----------------|---------|---------------|
| | | | | | DA FROM | A TO | |
| DKTT04524 | 2100 | M3 | 4,5 | 24 | 0,8 | 3,5 | 0,1 |
| DKTT05524 | 2101 | M3 | 5,5 | 24 | 0,8 | 4,5 | 0,1 |
| DKTT07530 | 2102 | M4 | 7,5 | 30 | 1,0 | 6,0 | 0,1 |
| DKTT07530S | 2103 | M4 | 7,5 | 30 | 6,0 | 6,5 | 0,1 |
| DKTT08530 | 2104 | M5 | 8,5 | 30 | 2,0 | 7,0 | 0,5 |
| DKTT08530S | 2105 | M5 | 8,5 | 30 | 6,5 | 7,5 | 0,5 |
| DKTT10535 | 2106 | M6 | 10,5 | 35 | 2,0 | 9,0 | 0,5 |
| DKTT10535S | 2107 | M6 | 10,5 | 35 | 8,5 | 9,5 | 0,5 |
| DKTT12035 | 2108 | M6 | 12,0 | 35 | 3,0 | 11,0 | 0,5 |
| DKTT12035S | 2109 | M6 | 12,0 | 35 | 10,0 | 11,0 | 0,5 |
| DKTT13535 | 2110 | M6 | 13,5 | 35 | 3,0 | 12,0 | 0,5 |
| DKTT13535S | 2111 | M6 | 13,5 | 35 | 10,0 | 12,5 | 0,5 |
| DKTT15035 | 2112 | M6 | 15,0 | 35 | 5,0 | 13,0 | 0,5 |
| DKTT16535 | 2113 | M8 | 16,5 | 35 | 8,0 | 15,0 | 0,5 |
| DKTT20535 | 2114 | M8 | 20,5 | 35 | 8,0 | 18,0 | 0,5 |

su richiesta sono disponibili anche misure speciali / Inch measures are available on request

APPUNTI

NOTES



DAL LAGO TTC S.R.L. - Via Piave, 16 - 36077 Altavilla Vic.na (VI) - Italy
Tel +39 0444 349030 - Fax +39 0444 348964 - www.dallago.it - info@dallago.it